

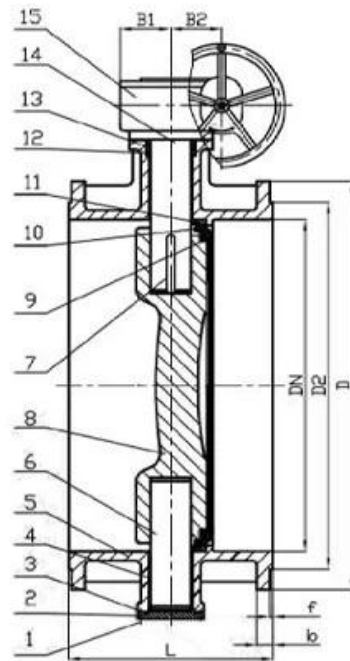
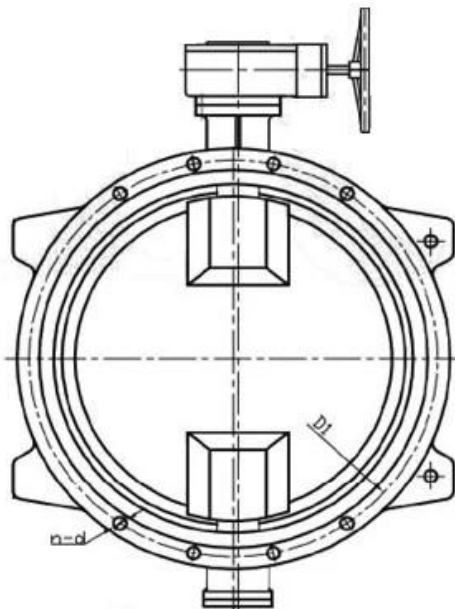
## DESIGN FEATURES



This series of butterfly valves are used for industrial pipelines, as bi-directional open and close and regulation devices, the adjustment range is from 40°C-90°C full open. Suitable temperature  $\geq 80^{\circ}\text{C}$

### Features

- Size range DN100-1200mm
- Standard-ISO/BS/DIN/AWWA/API
- Tests Standard-BS EN 12266-1
- Body-Ductile Iron/Cast Iron/Stainless Steel /WCB
- Body Ring-SS420/SS304/SS316
- Disc Ring-EPDM
- Shaft-SS420/SS431/SS316
- Fusion bonded epoxy coating-Min 300 Microns



<b>Size</b>	DN200-DN4000
<b>Pressure Ratings</b>	PN10 PN16 PN25
<b>Material</b>	Ductile Iron
<b>Seat</b>	SS304 / SS316
<b>Stem</b>	Stainless Steel
<b>Sealing Ring</b>	EPDM
<b>Shaft Sleeve</b>	Steel Sleeve
<b>Flanges standard</b>	BS EN1092-2:1997 PN16
<b>Application</b>	Water Treatment, HVAC, Irrigation System, Pumping, Smart Water Control, Power Station, Desalination, Food Industry, Mining, Coal Chemical Industry

# APPLICATION SCENARIO



Industrial water application



Power plant



Sea water desalination



Water treatment



Water supply and drainage



HAVC



Food and drug



Water transport



# COMPANY FACTORY



## COMPANY INFORMATION

---



I Business area: fluid control products, technology and environmental protection products.

II Advanced CNC machining centers, professional process cells, wide-range welding equipment, automatic assembly lines and coating.

III China's standard reference unit, to participate in the development of relevant valve industry standards.

IV We have set up a research and development center in Houston, Texas, in the United States.

V Product Standard: GB, German Standard, American Standard, TUV CE, ISO 9001, ADWO-2000, TS, PED, WRC WRAS, KTW, API 6D, API609.

VI Main production: butterfly valve, ball valve, gate valve, check valve, globe valves, pipe fittings, manual / pneumatic / electric actuator, valve parts.

01

21 years of professional experience

03

Independent research and development team  
28 top senior professional researchers

05

100% high level ex-factory inspection

07

2 years quality assurance, repair and replacement

4 factories

02

2 professional testing centers

04

High quality imported materials

06

# COMPANY QUALIFICATION



## COMPANY EXHIBITION



## Partners



Delivery



Payment



## FAQ:

### Q: If I need quotation, what informations do we need?

A: Valves' materials, Temperature, Pressure, Medium, Applplication System.

### Q: Can you provide actuators, what you have?

A: Pneumatic, Electric, Hrdraulic, Solenoid Valves. RKSfluid actuators adopt USA technology. Which you need, just tell us.

### Q: What's your productive capacity?

A: RKSfluid has four plants that can provide the products you need.

### Q: Production lead time

A: Normal products have stock in 2~5 working days. Customized base on your need.

### Q: MOQ

A: 1pc for all products.

### Q: How about the quality assurance?

A: 100% quality test before delivery, 2 years warranty. Ensure your system working safety. We got TUV, API, WRAS, CE, ISO certification.

Standard conform to DIN, ASME, BS EN, JIS, API, AWWA.

### Q: How could you provide quality service to our customers?



A: RKSfluid own 20 years experiences and more than 70 R&D engineers provide technical support, model selection and installation guidance for you.