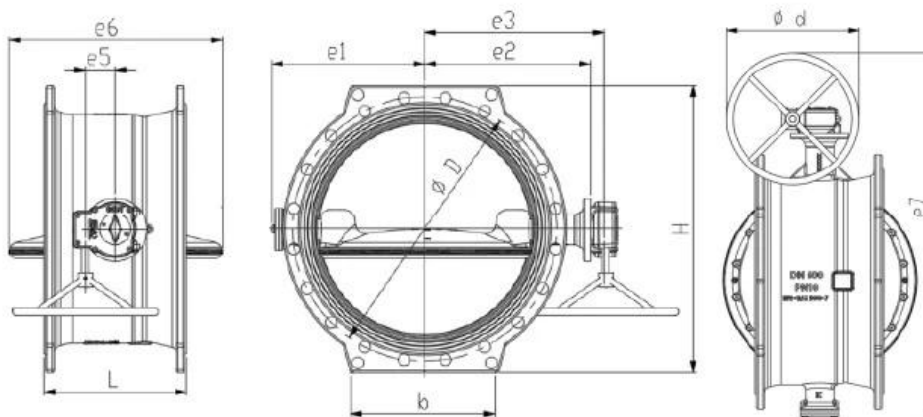


New **double eccentric butterfly valve** represents the essence of an efficient butterfly valve designed for when economy is a high priority.

ATHENA is functional and reliable, providing reduced complexity.

It covers the needs in standard applicatins for drinking water in terms of design, materials and standards.



1. We provides the most competitive solutions with the most professional technical support, the most comprehensive quality management and the most premium customer service.

2. we promise products warranty 24 months.

Response 24 hours on line with every day

<b>Size</b>	DN200-DN1800
<b>Pressure Ratings</b>	PN10 PN16 PN25 PN40
<b>Material</b>	Ductile Iron
<b>Suitable temperature</b>	-10°C - +60°C
<b>Design Standards</b>	EN 593 and EN1074-1/2
<b>Face-to-face</b>	EN558 series 13 and series 14
<b>Application</b>	Water Treatment, HVAC,Irrigation System,Pumping,Smart Water Control,Power Station,Desalination,Food Industry,Mining,Coal Chemical Industry

# APPLICATION SCENARIO



Industrial water application



Power plant



Sea water desalination



Water treatment



Water supply and drainage



HAVC



Food and drug



Water transport



# COMPANY FACTORY



## COMPANY INFORMATION

---



I Business area: fluid control products, technology and environmental protection products.

II Advanced CNC machining centers, professional process cells, wide-range welding equipment, automatic assembly lines and coating.

III China's standard reference unit, to participate in the development of relevant valve industry standards.

IV We have set up a research and development center in Houston, Texas, in the United States.

V Product Standard: GB, German Standard, American Standard, TUV CE, ISO 9001, ADWO-2000, TS, PED, WRC WRAS, KTW, API 6D, API609.

VI Main production: butterfly valve, ball valve, gate valve, check valve, globe valves, pipe fittings, manual / pneumatic / electric actuator, valve parts.

01

21 years of professional  
experience

03

Independent research and  
development team  
28 top senior professional  
researchers

05

100% high level ex-factory  
inspection

07

2 years quality assurance,  
repair and replacement

4 factories

02

2 professional testing  
centers

04

High quality imported  
materials

06

# COMPANY QUALIFICATION



## COMPANY EXHIBITION



## Partners



Delivery



Payment



## FAQ:

### **Q: If I need quotation, what informations do we need?**

A: Valves' materials, Temperature, Pressure, Medium, Applplication System.

### **Q: Can you provide actuators, what you have?**

A: Pneumatic, Electric, Hrdraulic, Solenoid Valves. RKSfluid actuators adopt USA technology. Which you need, just tell us.

### **Q: What's your productive capacity?**

A: RKSfluid has four plants that can provide the products you need.

### **Q: Production lead time**

A: Normal products have stock in 2~5 working days. Customized base on your need.

### **Q: MOQ**

A: 1pc for all products.

### **Q: How about the quality assurance?**

A: 100% quality test before delivery, 2 years warranty. Ensure your system working safety. We got TUV, API, WRAS, CE, ISO certification.

Standard conform to DIN, ASME, BS EN, JIS, API, AWWA.

### **Q: How could you provide quality service to our customers?**



A: RKSfluid own 27 years experiences and more than 70 R&D engineers provide technical support, model selection and installation guidance for you.